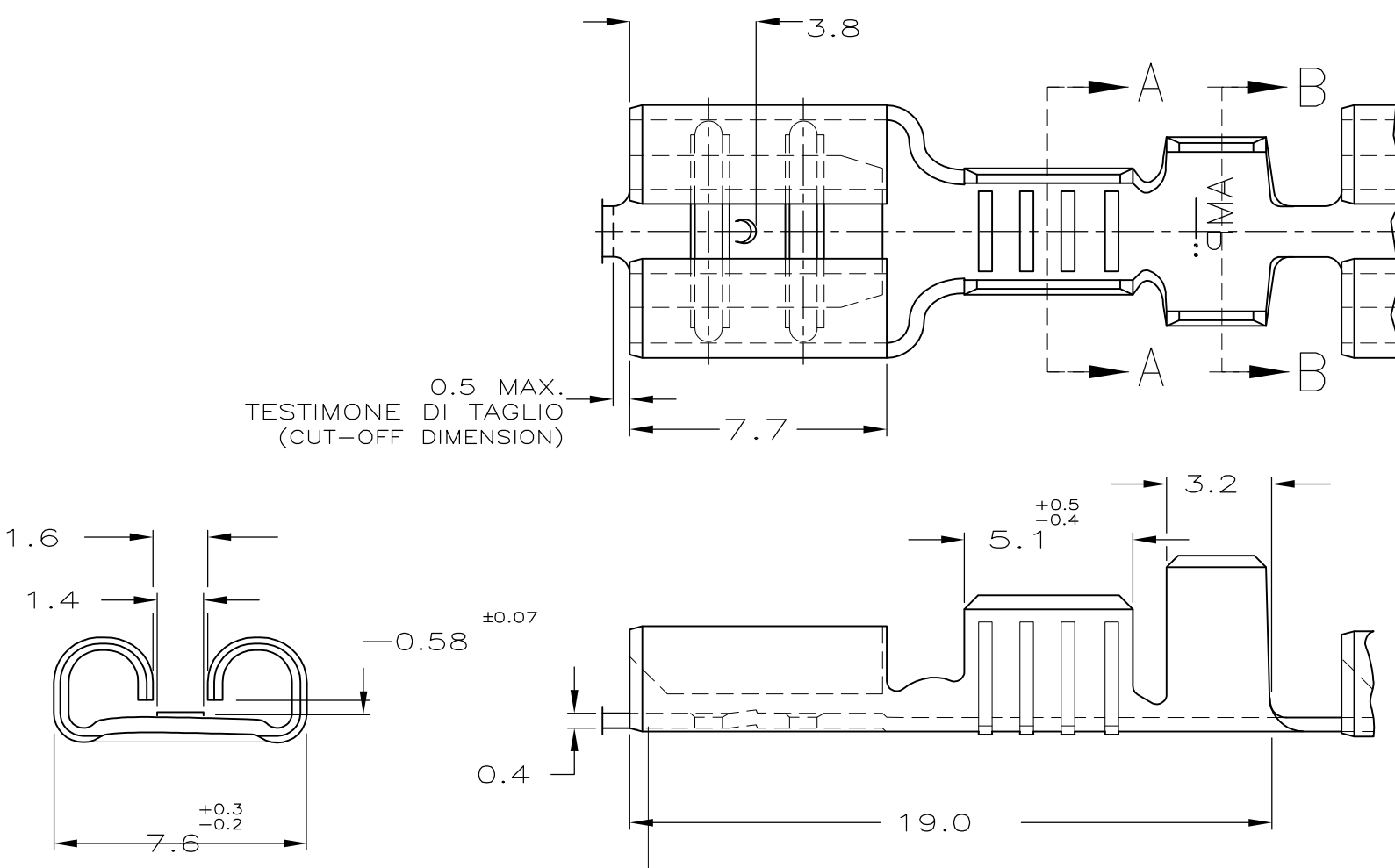


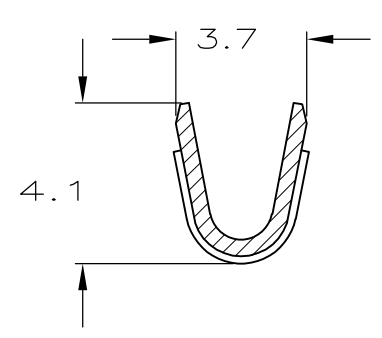
THIS DRAWING IS UNPUBLISHED. RELEASED FOR PUBLICATION
 © COPYRIGHT - By - ALL RIGHTS RESERVED.

LOC	DIST	REVISIONS			
P	LTR	DESCRIPTION	DATE	DWN	APVD
-	-	CU7	REVISED PER ECO-11-005140	30MAR11	RK HMR

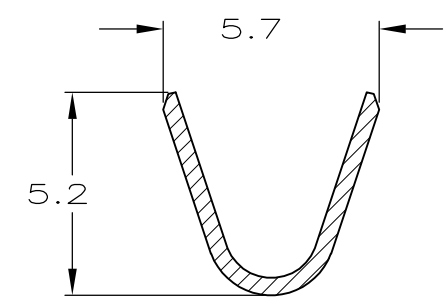


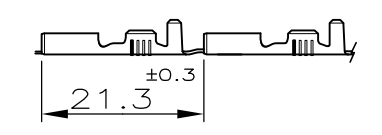
for 0.8 mm tab thickness.

SEZIONE A-A
(SECTION A-A)



SEZIONE B-B
(SECTION B-B)



- 1) STATO DI FORNITURA - SCALA 1:1 (SUPPLY CONDITION - SCALE 1:1)
 SENSO DI USCITA DEL TERMINALE DALLA BOBINA (DIRECTION OFF TOP OF REEL)

- 2) SPECIFICA DI PRODOTTO 108-20019 (PRODUCT SPEC. 108-20019)
 SPECIFICA DI APPLICAZIONE 114-20023 (APPLICATION SPEC. 114-20023).
- 3) PER LE VERSIONI IN PEZZI SCIOLTI VEDERE DISEGNO 160304 (FOR LOOSE PIECE VERSION SEE DRAWING 160304).
- 4) 115-16-1, GIUNZIONE MEDIANTE SALDATURA (115-16-1, SPLICE FREE).
- 5 BOBINATO CON CARTA INTERPOSTA (REELED WITH INTERLEAVE PAPER STRIP).
- 6 OBSOLETE PARTS: OBSOLETE CIS STREAMLINING PER D.RENAUD/D.SINISI

6 OBSOLETE	5				
		NUDO (UNPLATED)	BRONZO FOS. (PH. BRONZE)	4-160256-9	CU
		ARGENTATO (SILVER PLATED)	OTTONE (BRASS)	4-160256-7	CU
		NUDO (UNPLATED)	BRONZO FOS. (PH. BRONZE)	4-160256-5	CT
	5	PRE NICHELATO (PRE NICKEL PLATED)	ACCIAIO (STEEL)	4-160256-2	CT
		STAGNATO (TIN PLATED)	BRONZO FOS. (PH. BRONZE)	3-160256-1	CT
		NUDO (UNPLATED)	BRONZO FOS. (PH. BRONZE)	2-160256-8	CT
	5	STAGNATO (TIN PLATED)	OTTONE (BRASS)	2-160256-2	CU
		NUDO (UNPLATED)	OTTONE (BRASS)	2-160256-1	CT
		PRE NICHELATO (PRE NICKEL PLATED)	ACCIAIO (STEEL)	0-160256-5	CT
NOTE		FINITURA / COLORE (FINISH / COLOUR)	MATERIALE (MATERIAL)	NUMERO (PART NO)	REV

THIS DRAWING IS A CONTROLLED DOCUMENT.

DWN H. YAALI 27 JAN 2000
 CHK C. TARTARI 27 JAN 2000
 APVD -

PRODUCT SPEC -
 APPLICATION SPEC -
 WEIGHT -

STE TE Connectivity

FASTON® Connector,
 .250 sr. REC. CONTACT.

SIZE A3 CAGE CODE 00779 DRAWING NO C-160256 RESTRICTED TO -

CUSTOMER DRAWING SCALE 5:1 SHEET 1 OF 1 REV CU7

DIAM. ISOLANTE (INS. DIA. RANGE)	RANGO FILO (WIRE RANGE)
3.0-4.3mm DIA.	1.0-2.5 mm2

DIMENSIONS:	TOLERANCES UNLESS OTHERWISE SPECIFIED:
mm	
0 PLC	± 0.3
1 PLC	± -
2 PLC	± -
3 PLC	± -
4 PLC	± -
ANGLES	± 2°